



Thank you for purchasing **KOSO DL Fuel meter**, before operating the unit, please read the instruction thoroughly and retain it for the future reference.

Notice

1. The LCD meter is apply for **DC 12V**.
2. For installation, please follow the steps described in manual. Any damage caused by wrong installation shall be imputed to the users.
3. To avoid the short circuit, please don't pull the wire when installing. Don't break or modify the wire terminal.
4. Do not disassemble or change any parts excluding the manual description.
5. The interior examination or maintenance should be executed by our professionals.

SYMBOL NOTE:

NOTE You could get the installation details from the information behind the mark.

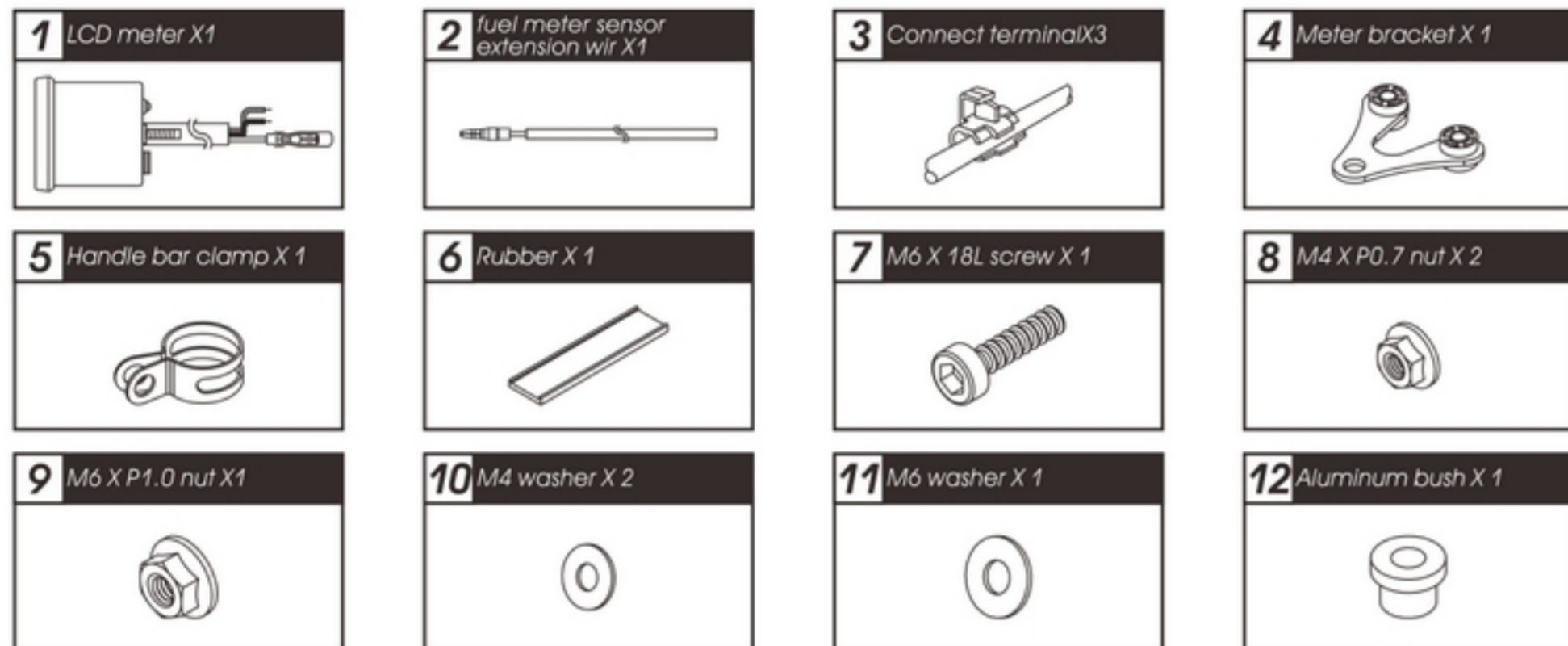
△ Some processes must be followed to avoid the affection caused by wrong installation.

⚠ WARNING! Some processes must be followed to avoid damages to yourself or the public.

⚠ CAUTION! Some processes must be followed to avoid the damage to the vehicle.



1-1 Accessory



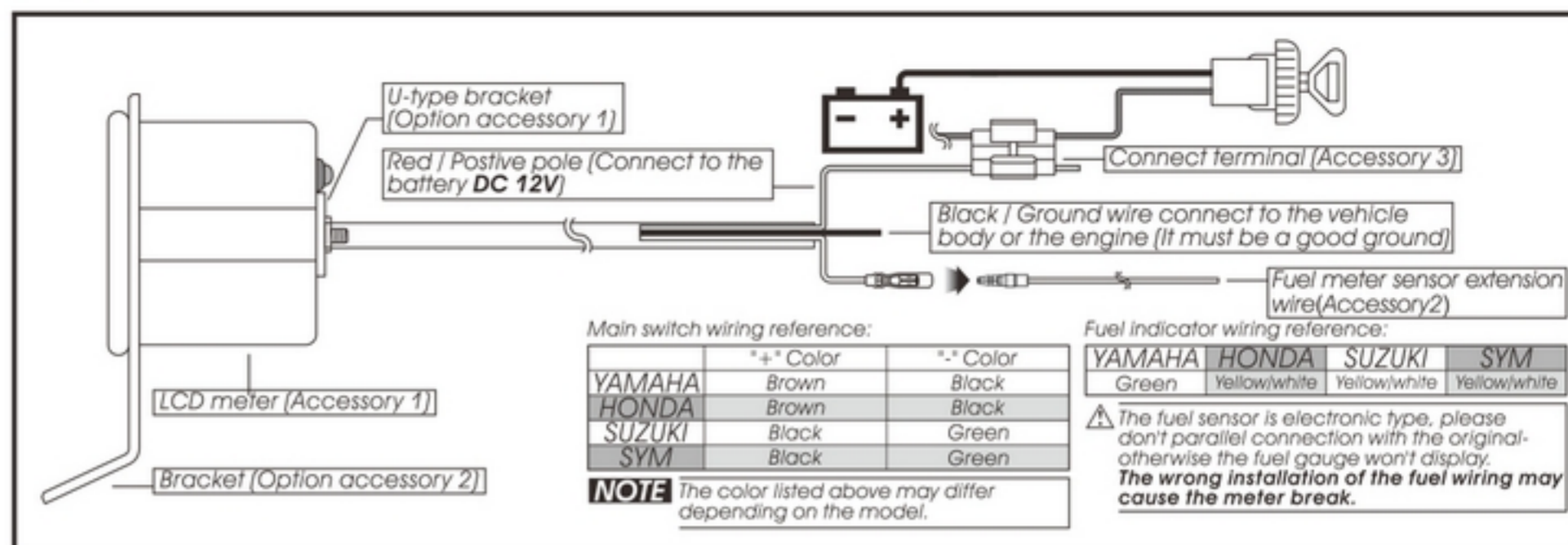
NOTE Please contact the local distributor if the items you open are not the same, with the above-listed one.

1-2 Option accessory

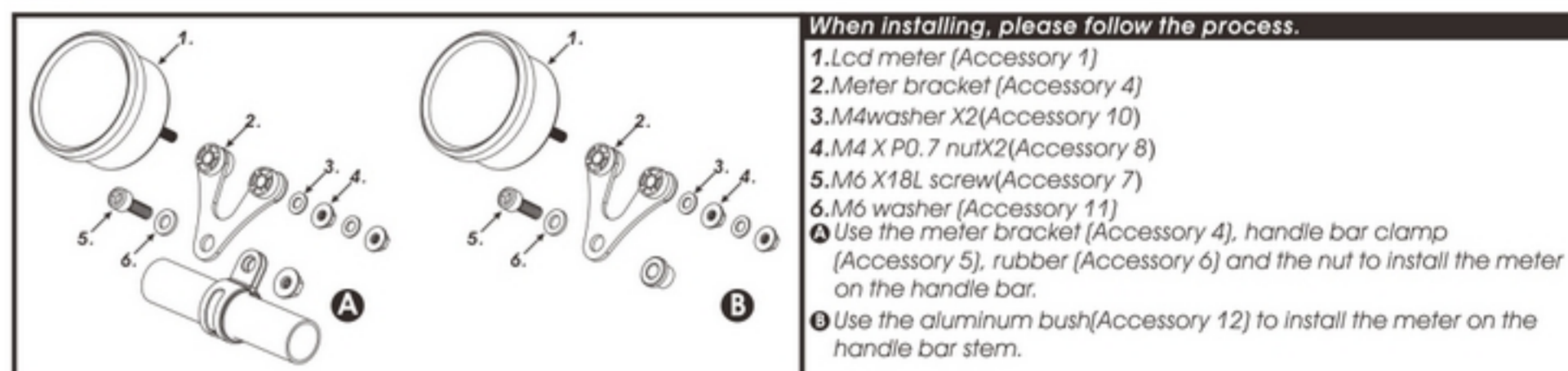


NOTE Some of the option accessories may not sell. For the details, please contact the local distributor.

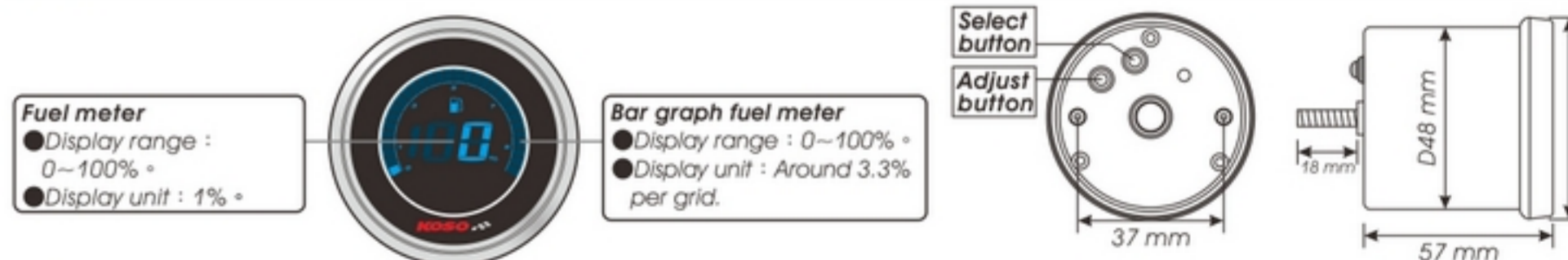
2-1 Wiring installation instructions



2-2 Installation instructions



3-1 Display instruction



3-2 Function, setting instruction

● Fuel meter	Display range : 0~100% ◦ Display unit : 1%	● Effective voltage	DC12V
○ Bar graph fuel meter	Display range : 0~100% ◦ Display unit : Around 3.3% per grid.	● Effective temperature range	-10~+60°C
○ Fuel level warning	Setting range : 10~25% ◦ Setting unit : 1%	● Meter standard	JIS D 0203 S2
● Fuel resistance	Setting range : 10(100 Ω) ◦ 51(510 Ω) ◦ US(Customize)	● Meter size	D48 X 52.8 mm
		● Meter weight	Around 117 g

NOTE Design and specification are subject to change without notice!

4-1 Function setting instruction



- In the main screen, hold pressing the **Adjust & Select button X 3 seconds** to enter the fuel sensor value setting screen.



- EX. We would like to set fuel sensor value range at **US**.
- Press the **Select button** to choose resistance range.



Range	Resistance	Display 0%	Display 50%	Display 100%
10	100 Ω	87.2 Ω	45.5 Ω	10.0 Ω
51	510 Ω	454.8 Ω	273.1 Ω	52.2 Ω
US	Customize	0-900 Ω		

NOTE Setting range: 10(100 Ω) - 51(510 Ω) - US(Customize)

NOTE Recommend setting number of each model, please refer to the No.5 setting sheet.

⚠ The digit you could set is flashing now.



- A. When the setting is 10 (100 Ω) or 51 (510 Ω), press the **Adjust button** to enter the fuel insufficient warning setting directly.
- B. If you set the fuel value at US, you will enter the fuel resistance setting when you press the **Adjust button** after the fuel sensor value setting.



- The empty fuel tank setting.
- Make sure the fuel in the fuel tank is at the fuel empty position you want to set.
- Please don't move the bike for a while to make the fuel level stable.
- Press the **Select button** to confirm the setting.



※ If **rE** show on screen, it means connection or setting is wrong. Please check the signal wire connection and fuel resistance data setting again.



※ When **dE** shows on screen, it means that the setting is done.

- Press the **Adjust button** to enter the full fuel tank setting.



- Now you are in the full fuel tank resistance setting.
- Make sure the fuel level is at the fuel position you want to set.
- Do not move the bike for a while to make fuel level stable.
- Press the **Select button** to confirm the setting.



※ If **rF** show on screen, it means connection or setting is wrong. Please check the signal wire connection and fuel resistance data setting again.



※ When **dF** shows on screen, it means that the setting is done.

- Press the **Adjust button** to enter the fuel insufficient setting.



- EX: You want to set the fuel insufficient warning alarm at 15%.
- Press the **Select button** to change the setting value.



NOTE Setting range: 10%~25%.

⚠ The digit you could set is flashing now.

- Press **Adjust button** return to the main screen.



● The main screen.



5 Impedance setting sheet

Manufacture	Model	Setting number
YAMAHA	JOG 50	100Ω
	JOG 100	100Ω
	RS 100	100Ω
	RSZ 100	100Ω
	SV MAX 125	100Ω
	CYGNUS 125	100Ω
	NEW CYGNUS 125	100Ω
	GTR 125	100Ω
	LC 135	100Ω
	NEW LC 135	100Ω
	LAGENDA	100Ω

Manufacture	Model	Setting number
YAMAHA	S-MAX	100Ω
	T-MAX	100Ω
KYMCO	GOING 100	510Ω
	JR 100	510Ω
	SR G4 125	510Ω
	V-LINK GP 125	510Ω
	KTR	100Ω
HONDA	MSX	250Ω
	WAVE 110	510Ω
	Gn5	510Ω
	PCX	100Ω

Manufacture	Model	Setting number
SYM	S-PRO 100	100Ω
	WOLF 125	100Ω

NOTE If you bike is not in this setting sheet, please use the automatic learning function to let the meter learned by auto program.

6 Trouble shooting

The following situation do not indicate malfunction of the meter. Please check the following before taking it in for repair.

Trouble	Check item	Trouble	Check item
The meter doesn't work when the power is on.	<ul style="list-style-type: none"> ● The power doesn't supply to the meter. → Please make sure the wiring is connected. The wiring and fuse are not broken. → The battery is broken or the battery is too old to supply enough power (DC 6V) to make the meter work. 	Fuel gauge does not appear or appear incorrectly.	<ul style="list-style-type: none"> ● Please check your fuel tank. → Is there any fuel inside? ● Please check the wiring. → Do you connect the wiring correctly? ● Please check the setting. → Please refer to the manual 4-2.
The meter shows wrong information.	<ul style="list-style-type: none"> ● Please check the voltage of your battery, and make sure the voltage is over DC 6V. 		

※ If still can't solve the problems according to the steps above, please contact with distributors or us.